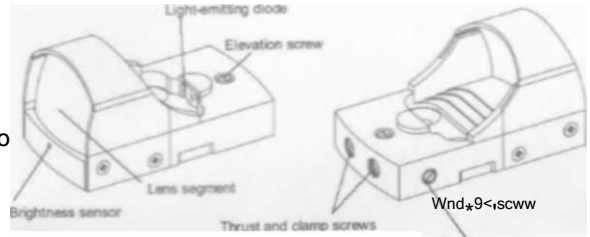


RDP-II Mini Sight

Now, you own the smallest and versatile sight in the world. The amazing features of our **RDP-II Mini Sight** include:

- Compact tubeless design and small size. Low weight without sacrificing performance. Sophisticated optical system with high-quality imaging. Suitable for pistols, short barrel and large caliber guns. Easy mounting with you own optional mount adapter Large field of view due to its low magnification Parallax is free at 50 yards.
- Low power consumption for long battery life
- Automatically adjust the brightness of the aiming dot to varying light levels in the surroundings.



BATTERY

RDP- II Mini Sight is powered by one 3V lithium battery (CR2032 or equivalent). Insert the battery cavity on the underside of the housing so that the battery label identifying the positive pole is visible. For battery replacement, take out the exhausted battery by placing the Allen key in the notch located on the right-hand side as see from the bottom.

POWER-SAVING

The device does not contain a separate ON/OFF switch. To operate the electronic circuit in the power-saving mode, attach

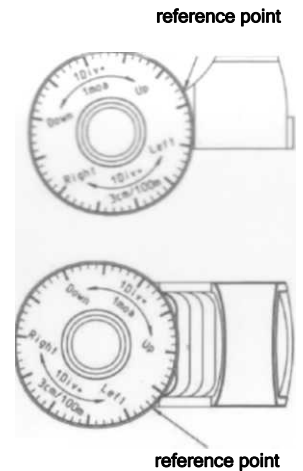
the cover. You may also store the device in a lightproof box to achieve the same power-saving effect thus allowing operation over a longer period.

MOUNTING

Mounting the sight requires a separate mount adapter for your respective gun. The underside of the sight housing contains flat bores for the accommodation of alignment pins providing defined position. Using the hexagon socket-head screws and the Allen key provided fasten the sight on the mount adapter. Then, tighten the mount adapter on the gun.

ELEVATION AND WINDAGE ADJUSTMENT

The sight contains separate controls for elevation and windage adjustment. To adjust the sight, turn the slotted screws using the provided adjusting wrench with attached scale and the screwdriver. Before every adjustment of elevation or windage, turn the thrust and clamp screws on the rear side of the sight to make sure to loosen the lock of the adjustment mechanism to avoid damage to it.



ZEROING

Adjust the point of impact using the provided scale disk with integrated screwdriver. Put the scale disk onto the elevation or windage adjustment screws. Use any edge on the sight as the reference line for the adjustment. The scale disk allows defined elevation and windage adjustment in both senses of rotation. Turn the adjustment screw clockwise results in downward or leftward shift of the aiming dot. After that, fasten the clamp screws.

SCOPE OF DELIVERY

- 2 countersunk screws M3x8 with hexagon socket head for installing the sight on the mounting plate
- 1 Allen key for tightening the fastening screws
- 1 adjusting wrench with scale disk specific for the sight
- 1 protective cap
- 1 Lithium battery 3 V, CR 2032 ¹



Model	Magnification	Field of View	Windage/ Elevation Adjustment	Dot Size
RDP-II	1.07 ^x	14m@100m	Up/R:200cm@100m	3MOA
	Sight Window	Dimensions	Parallax Free at	Weight
	22mm x17mm	46mmx26mmx25mm	Approx.50yards	26g